

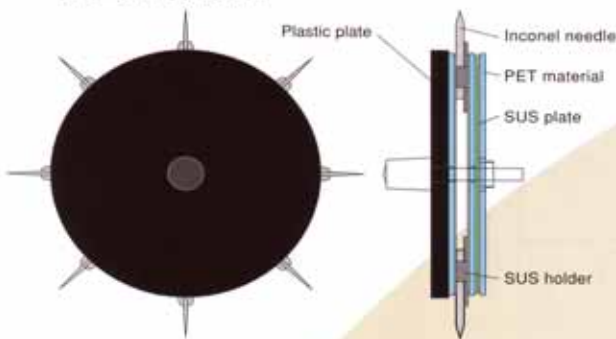
## New Standard

Powerful static eraser blower that has both powerful static erasing capability and easy maintenance.



### Full of great, advanced functions

- A New concept round electrical discharge unit provides a highly accurate ion balance of  $\pm 5$  V or less.



- Highly reliable piezo alternating current will generate very little deterioration of the ion balance.
- Compact design is perfectly suitable for cell production machines.
- Adjustment dial provides step-less adjustment of the fan speed. Quiet 52 dB (At maximum fan speed)

### Operation and display panels located on top of the unit.

- Power lamp and warning LED lamp are located on top of the unit making it easy to see at a glance during operation.



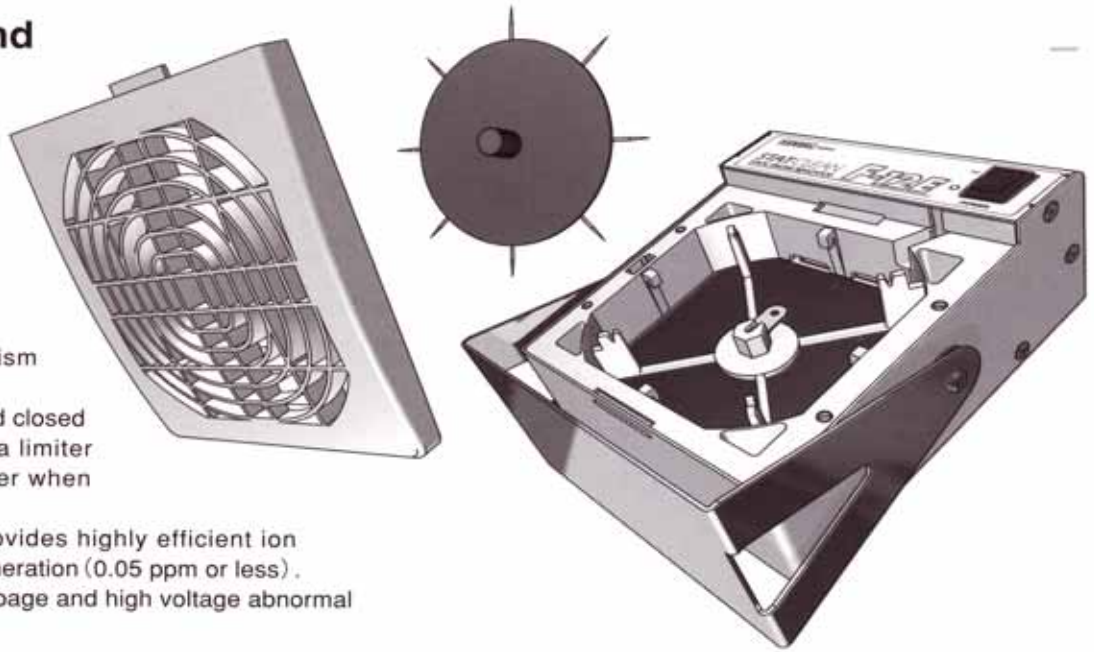
RoHS

# STAT-CLEAN F12E-E

Standard Powerful Ionizer

## Pursuing safety and easy maintenance

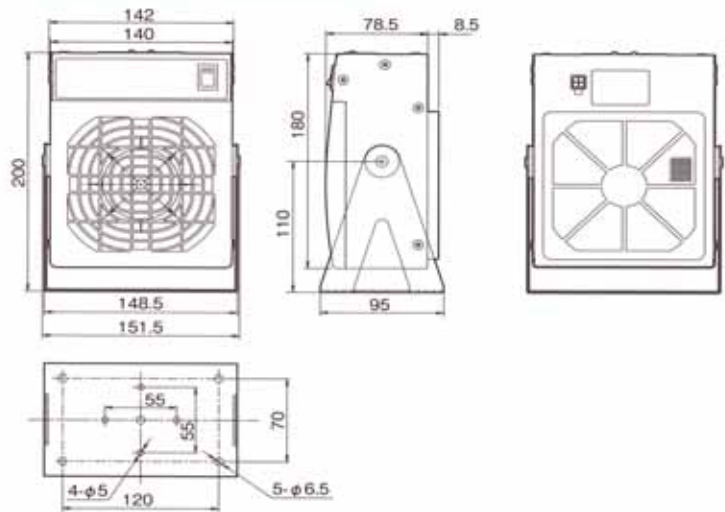
- Uses 24V low-voltage wiring to avoid current leaks or negative impact on peripheral components.
- First in the industry. Electric discharge plate removal/attachment mechanism makes maintenance easier.
- Front guard can be opened and closed with one touch. Comes with a limiter switch that turns off the power when opened.
- Electric discharge design provides highly efficient ion generation with little ozone generation (0.05 ppm or less).
- Comes with a fan rotation stoppage and high voltage abnormal warning LED.



## Specification

Model	No.F-12E
Ion generation method	High voltage DC corona discharge
Output voltage	DC4.0kV — 8.0kV
Input voltage	DC24V ± 5% 340mA (TYP.)
Dimensions	H193×W129×D76 (H204.5×W140.5×D80 Including stand) mm
Weight	980g
Fan speed	1.8m <sup>3</sup> /min (Max. Fan Speed Catalog value)
Noise emission	HI:52dB, MID:46dB, LO:37dB (A, Measured at 1m)
Ozone generation	0.05ppm or less (Measured at 50mm)
Working ambient Temperature/humidity	0 — 60°C / 35 — 65%RH (No dewing)
Distance from target area	150 — 900mm (Installation location: Non-dangerous indoor location)
Static electricity removal time	Refer to the items in the capabilities chart.
Ion balance	Within ±5V (At 300mm)
Accessories	Adapter No.AD24-IT-EX
Consumables	Wire plate : F-12EH Filter : F-12EF

## Component dimensions



## Static removal function

	300mm		600mm		900mm		150mm
	1.0V		-1.0V		1.0V		
	+	10.1 sec	+	7.2 sec	+	9.0 sec	
	-	14.5 sec	-	10.5 sec	-	10.6 sec	
	-2.0V		0.0V		1.0V		
	+	2.0 sec	+	3.3 sec	+	5.0 sec	
	-	2.5 sec	-	4.6 sec	-	7.5 sec	
	1.0V		1.0V		-1.0V		
	+	5.3 sec	+	6.7 sec	+	8.6 sec	
-	6.8 sec	-	8.6 sec	-	11.9 sec		
							0mm
							150mm

Uses ANSI EOS/ESD S3.1 compliant CPM : TREK 158,  
 Temperature : 25°C, Humidity : 50%  
 Top row : Ion balance value  
 Middle row : Attenuation time from +1000V to +100V  
 Bottom row : Attenuation time from -1000V to -100V

\*The measured values were obtained in Vessel's measurement environment. Measurements obtained in the operation environment may differ from above stated value.

Manufactured by

**VESSEL CO., INC.**

17-25, Fukae-Kita 2-chome,  
 Higashinari-ku, Osaka 537-0001 Japan  
 Tel : +81 6 6976 7778 Fax : +81 6 6972 9441  
 E-mail : export@vessel.co.jp  
 URL : http://www.vessel.jp



**JDV Products Inc.**  
 22-01 Raphael Street  
 Fair Lawn, NJ 07410

Tel: 201-796-1720 Fax: 201-796-9399  
 www.vesseltools.com